



**Part no.: 50132986**  
**MSI 420-01**  
**Safety control**



Figure can vary

## Contents

- Technical data
- Dimensioned drawings
- Electrical connection
- Circuit diagrams
- Accessories
- Notes

Part no.: 50132986 – MSI 420-01 – Safety control

## Technical data

<b>Basic data</b>	
Series	MSI 420
Application	Monitoring of safety functions
Number of safe I/Os	16 IN, 4 OUT, 4 programmable I/O
<b>Functions</b>	
Functions	Removable program memory (must be ordered separately, part no. 50132996) Additional I/O extensions available (optional) USBmini interface Configurable safety control Ethernet interface Configuration via MSI.designer software Transfer of diagnostic data via external fieldbus modules, e.g. MSI-FB-PROFIBUS (optional)
<b>Characteristic parameters</b>	
SIL	3, IEC 61508
SILCL	3, IEC/EN 62061
Performance Level (PL)	Up to and including e, EN ISO 13849-1
PFH <sub>D</sub>	0.0000000043 per hour
PFH <sub>D</sub>	4,3E-09 per hour
Mission time T <sub>M</sub>	20 years, EN ISO 13849-1
Category	4, EN ISO 13849
<b>Electrical data</b>	
<b>Performance data</b>	
Supply voltage	24 V, DC, -30 ... 25 %
Power consumption, max.	3.3 W
<b>Output circuit</b>	
Number of outputs	8 Piece(s)
Max. number of integrated digital outputs	8 Piece(s)
Type of digital output	Transistor
Short circuit protection, outputs	Yes
Min. voltage permitted at the output	16.2 V
Max. voltage permitted at the output	30 V
Output current	4 A
<b>Control circuit</b>	
Number of inputs	16 Piece(s)
Voltage permitted at the input	30 V
Max. rated control supply voltage at DC	30 V
Min. rated control supply voltage at DC	15.6 V
Input current at signal 1	2.3 mA
<b>Interface</b>	
Type	Internal bus (SBUS+)
<b>Service interface</b>	
Type	EthernetUSB

**Part no.: 50132986 – MSI 420-01 – Safety control**
**Ethernet**

Function Configuration via software

**USB**

Function Configuration via software

**Connection**

Number of connections 3 Piece(s)

**Connection 1**

Type of connection Terminal

Function Signal IN  
Signal OUT  
Voltage supply

Type of terminal Screw terminal

No. of pins 32 -pin

**Connection 2**

Type of connection USB

Function Configuration interface

Connector type USB 2.0 Mini-A

**Connection 3**

Type of connection RJ45

Function BUS OUT

**Cable properties**

Connection cross sections 1 x 0.2 to 2.5 mm<sup>2</sup>, wire  
1 x 0.2 to 2.5 mm<sup>2</sup>, wire  
2 x 0.2 to 1.0 mm<sup>2</sup>, wire  
1 x 0.25 to 2.5 mm<sup>2</sup>, wire with wire-end sleeve  
2 x 0.2 to 1.0 mm<sup>2</sup>, wire  
2 x 0.25 to 1.0 mm<sup>2</sup>, wire with wire-end sleeve

**Mechanical data**

Dimension (W x H x L) 45 mm x 96.5 mm x 121 mm

Net weight 290 g

Housing color Gray

Type of fastening Snap-on mounting

**Operation and display**

Type of display LED indicator

Type of configuration Software

**Environmental data**

Ambient temperature, operation -25 ... 65 °C

Ambient temperature, storage -25 ... 70 °C

Relative humidity (non-condensing) 10 ... 95 %

**Certifications**

Degree of protection IP 20

Protection class III

Certifications TÜV Rheinland  
c UL US

Vibration resistance 5 ... 150 Hz

Test procedure for oscillation in accordance with standard EN 60068-2-6

Shock resistance, single shock 30 g, 11 ms, EN 60068-2-27

Part no.: 50132986 – MSI 420-01 – Safety control

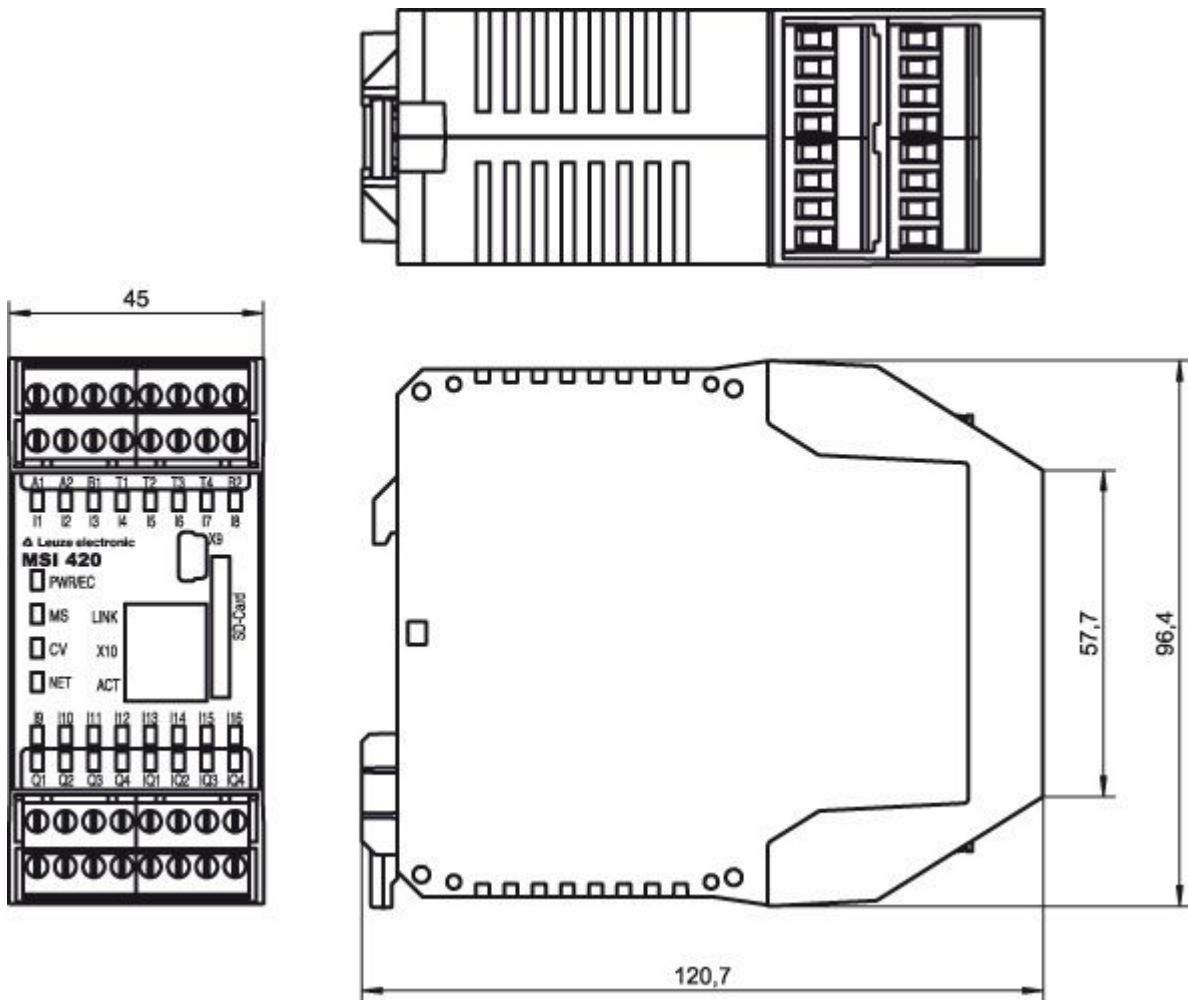
Shock resistance, continuous shock 10 g, 16 ms, EN 60068-2-29

**Classification**

eCl@ss 8.0	27243101
eCl@ss 9.0	27243101
ETIM 5.0	EC002538

**Dimensioned drawings**

All dimensions in millimeters



**Electrical connection**

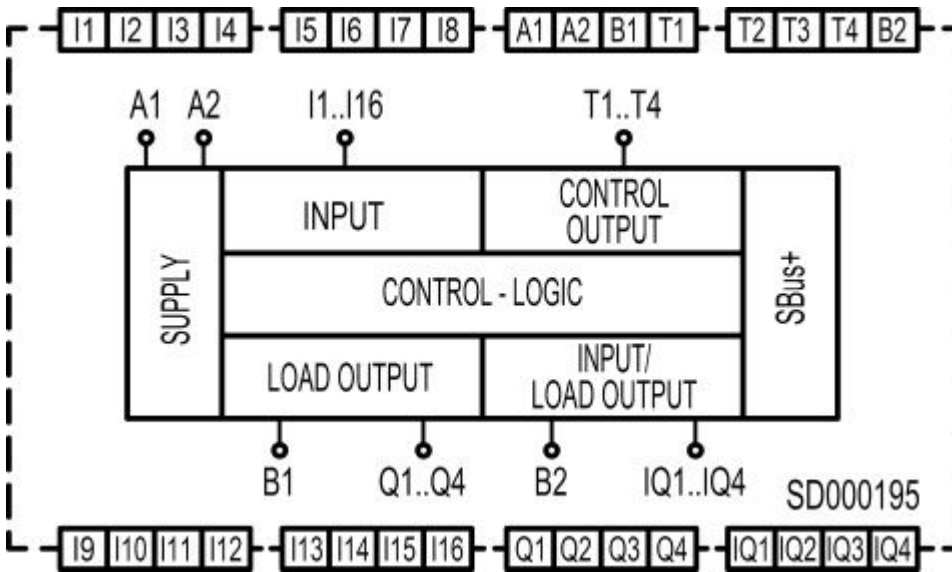
Connection 1	
Type of connection	Terminal
Function	Signal IN Signal OUT Voltage supply
Type of terminal	Screw terminal
No. of pins	32 -pin

Terminal	Assignment
A1	+24V
A2	GND
B1	+24 V (outputs Q1 - Q4)
B2	+24 V (outputs IQ1 - IQ4)
I1	Safe input
I2	Safe input
I3	Safe input
I4	Safe input
I5	Safe input
I6	Safe input
I7	Safe input
I8	Safe input
I9	Safe input
I10	Safe input
I11	Safe input
I12	Safe input
I13	Safe input
I14	Safe input
I15	Safe input
I16	Safe input
IQ1	Safe input/output (configurable)
IQ2	Safe input/output (configurable)
IQ3	Safe input/output (configurable)
IQ4	Safe input/output (configurable)
Q1	Safe output
Q2	Safe output
Q3	Safe output
Q4	Safe output
T1	Test signal output
T2	Test signal output
T3	Test signal output
T4	Test signal output

Connection 2	X9
Type of connection	USB
Function	Configuration interface
Connector type	USB 2.0 Mini-A


Connection 3	X10
Type of connection	RJ45
Function	BUS OUT

### Circuit diagrams





### Accessories

#### Start-up/diagnosis

	Part no.	Designation	Article	Description
	50117011	KB USB A - USB miniB	Service line	Suitable for interface: USB Connection 1: USB Connection 2: USB Shielded: Yes Cable length: 1,500 mm Sheathing material: PVC

### General

	Part no.	Designation	Article	Description
	50132996 *	MSI-SD-CARD	Program memory	
	50133002	MSI-SD-COVER	Cover	Contains: 10x MSI-SD-COVER

\* Necessary accessories, please order separately

## Notes

### Observe intended use!

- The product may only be put into operation by competent persons.
- Only use the product in accordance with its intended use.